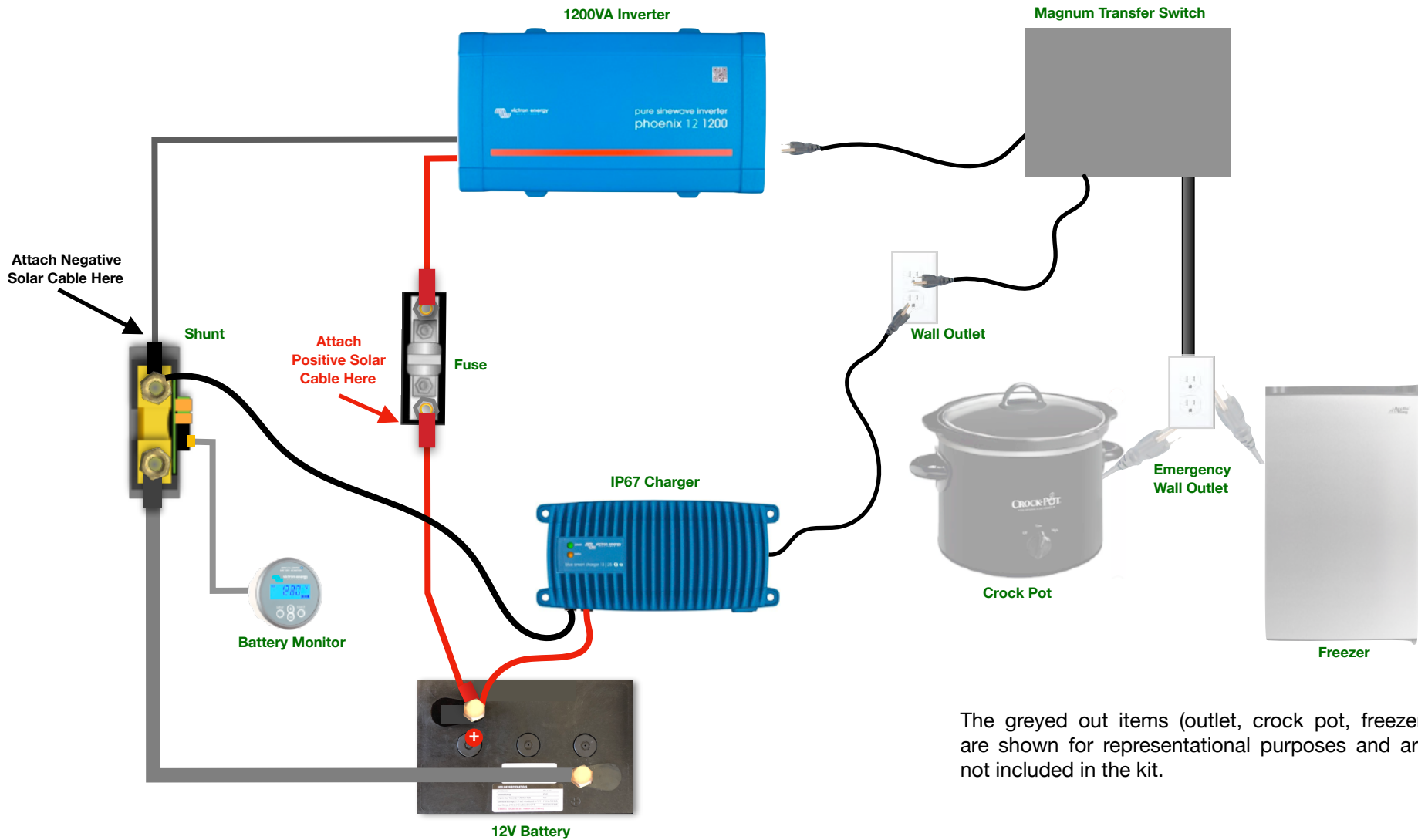


The home preparedness kit allows you to continue powering important devices such as an ice chest, Crock Pot, or whatever you may need to function in case of a power failure. The kit consists of a 12V battery with battery monitor, an inverter, and transfer switch. The inverter draws power from the battery and converts it to AC through the inverter, before connecting it through the Magnum transfer switch and providing power to a home outlet. Once power is restored, the IP67 charger will begin charging the batteries up to full, so you are prepared for another potential power outage.



The greyed out items (outlet, crock pot, freezer) are shown for representational purposes and are not included in the kit.