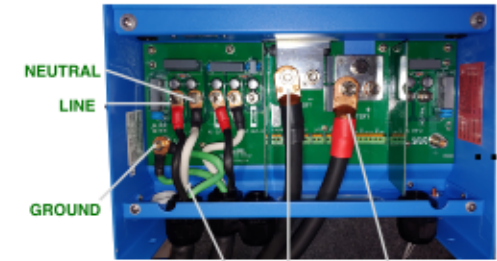




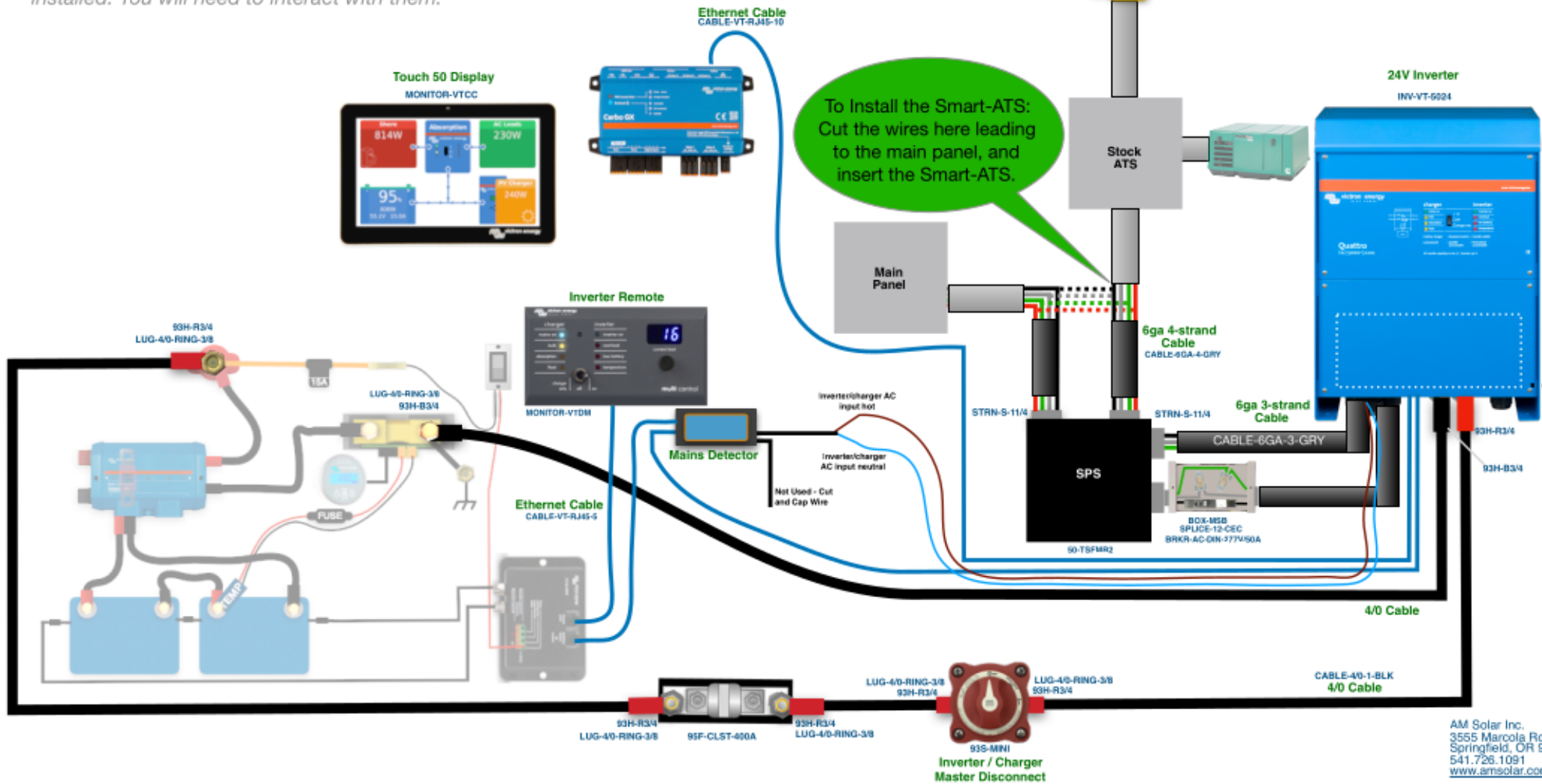
AC Input & Output

The AC Input/Output system is capable of plugging into a 50A shore power outlet. (Note: Adapters from 30A to 15A outlets can be purchased at hardware or RV supply stores). The shore power charges the battery bank and can also be passed through the inverter to the AC loads. If the loads draw more current than the shore power connection can provide, the inverter can meet the demand up to the rating of the inverter by simultaneously drawing from the battery bank. When not plugged into shore power, the inverter will draw from the battery bank to power the AC loads. When not in use, save energy by turning off the inverter via the Color Control GX included in the kit.



IMPORTANT NOTICE:

ALL the "greyed out" items have been previously installed. You will need to interact with them.

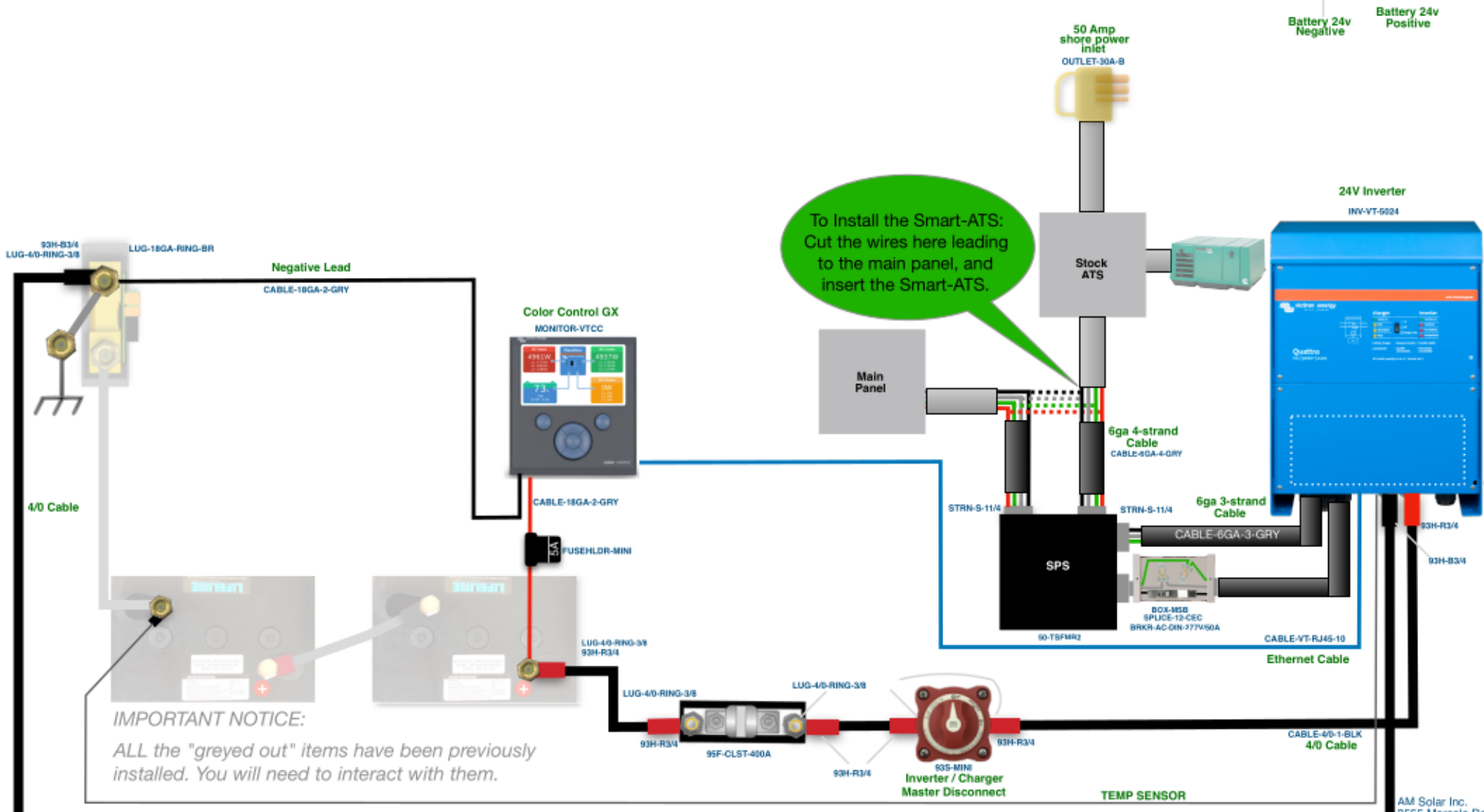




AM SOLAR

AC Input & Output

The AC Input/Output system is capable of plugging into a 50A shore power outlet. (Note: Adapters from 30A to 15A outlets can be purchased at hardware or RV supply stores). The shore power charges the battery bank and can also be passed through the inverter to the AC loads. If the loads draw more current than the shore power connection can provide, the inverter can meet the demand up to the rating of the inverter by simultaneously drawing from the battery bank. When not plugged into shore power, the inverter will draw from the battery bank to power the AC loads. When not in use, save energy by turning off the inverter via the Color Control GX included in the kit.



IMPORTANT NOTICE:
 ALL the "greyed out" items have been previously installed. You will need to interact with them.

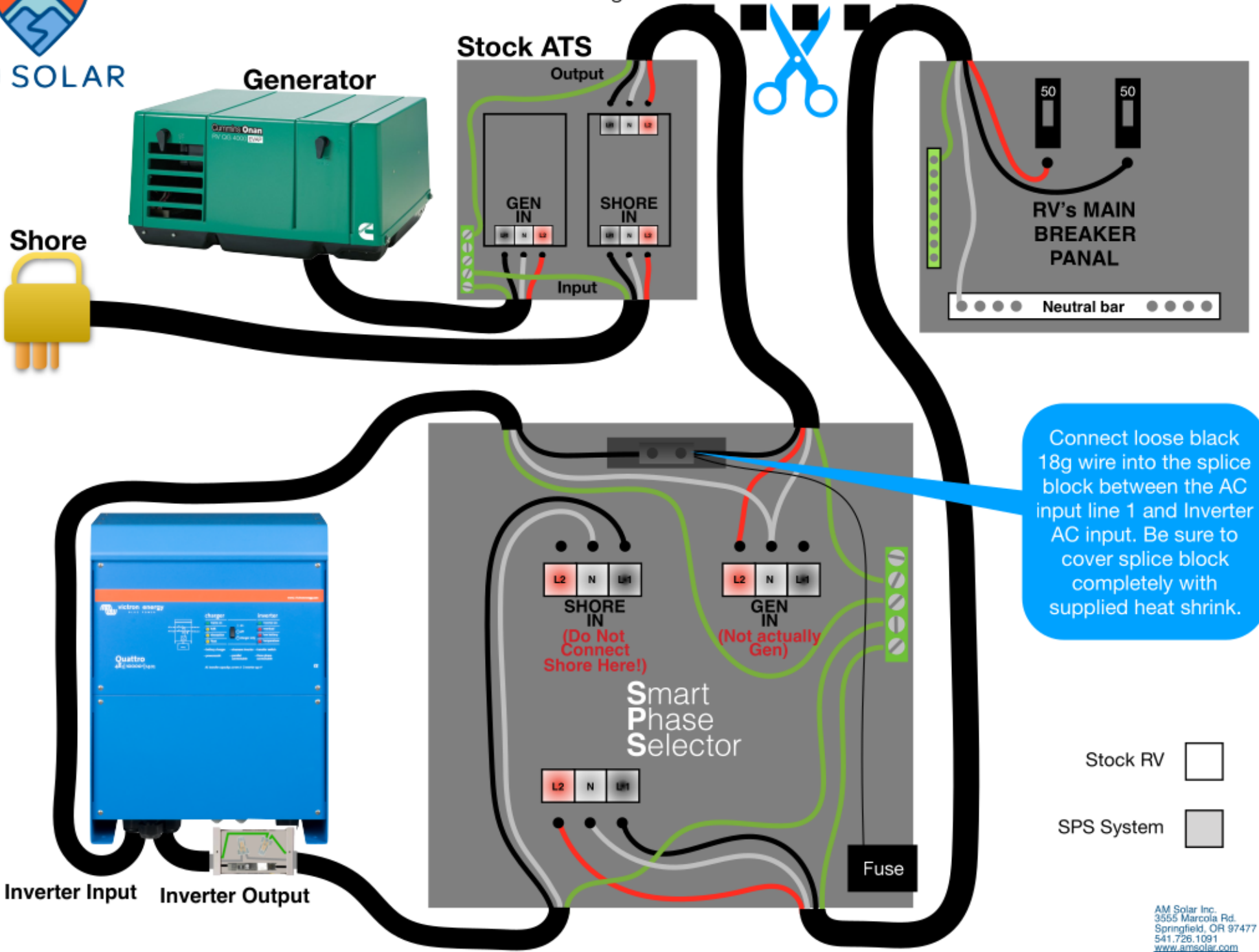


AM SOLAR

AM Solar's Smart Phase Selector

Rev.20191112

Full Passthrough All the time!



Connect loose black 18g wire into the splice block between the AC input line 1 and Inverter AC input. Be sure to cover splice block completely with supplied heat shrink.

- Stock RV
- SPS System